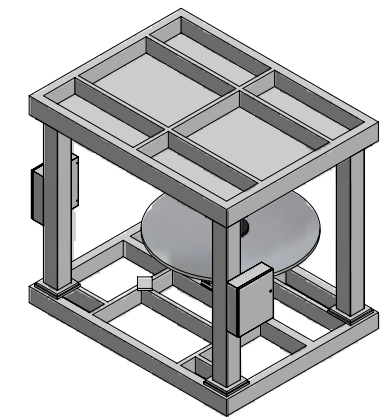
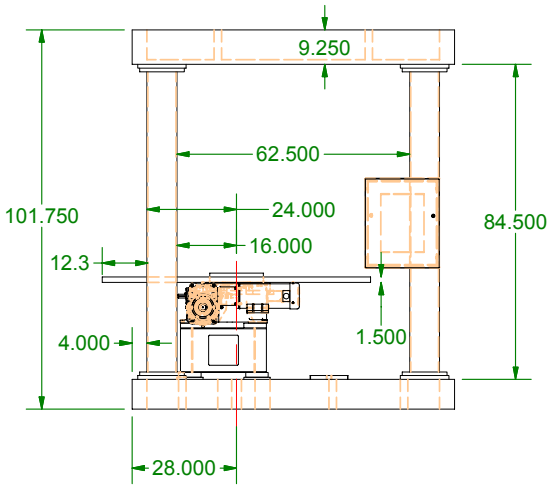
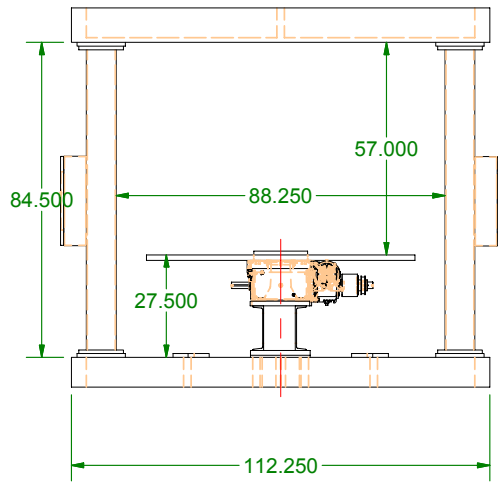
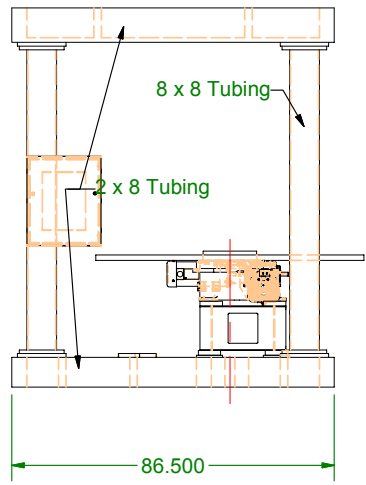
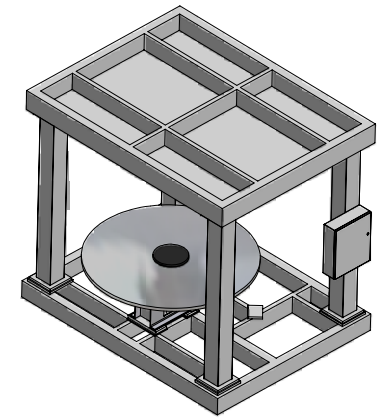
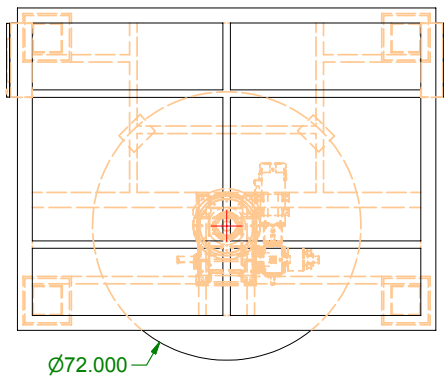


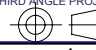


# TJ SNOW STOCK # 4921 DIAL INDEX WELDER



|   |                               |   |   |   |
|---|-------------------------------|---|---|---|
| <b>Linear Tolerance</b><br>Decimal 4 Places ± .0005"<br>Decimal 3 Places ± .005"<br>Decimal 2 Places ± .020"<br>Decimal 1 Place ± .030"<br>Fractional ± 1/16"<br>Angular ± 1/2° | DRAWN BY:<br><b>Bob Clark</b> | 2/17/2005                               |  <b>TJ SNOW Co. Inc.</b><br>6203-6207-Jim Snow Way-Chattanooga, Tennessee 37421<br>(423) 894-6234-Fax (423) 892-3889 |  |
|   | CHECKED BY:                   | Description<br><b>Dial Index Welder</b> |   |   |
| THIRD ANGLE PROJECTION<br>   |                               | SIZE B                                  | DWG NO<br><b>TJS-4921</b>   | REV<br>00   |